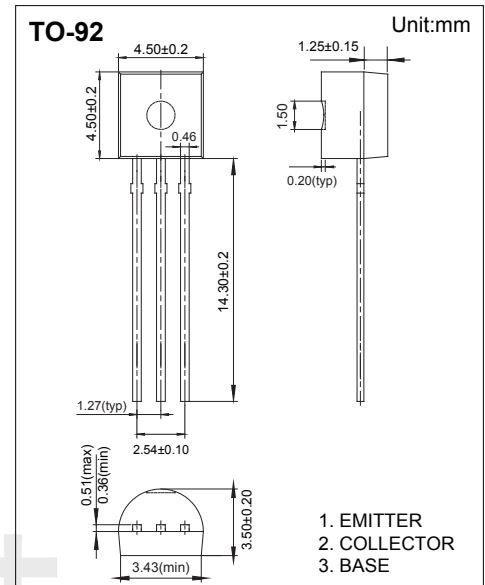


NPN Transistors 2SC3279

■ Features

- Low Saturation Voltage
- High DC Current Gain and Excellent hFE Linearity



■ Absolute Maximum Ratings Ta = 25°C

| Parameter | Symbol | Rating | Unit |
|--------------------------------|------------------|------------|------|
| Collector - Base Voltage | V _{CB0} | 30 | V |
| Collector - Emitter Voltage | V _{CEO} | 10 | |
| Emitter - Base Voltage | V _{EBO} | 6 | |
| Collector Current - Continuous | I _C | 2 | A |
| Collector Power Dissipation | P _C | 0.75 | W |
| Junction Temperature | T _J | 150 | °C |
| Storage Temperature | T _{stg} | -55 to 150 | |

■ Electrical Characteristics Ta = 25°C

| Parameter | Symbol | Testconditions | Min | Typ | Max | Unit |
|--------------------------------------|----------------------|---|-----|-----|------|------|
| Collecto- base breakdown voltage | V _{CB0} | I _C = 1 mA, I _E =0 | 30 | | | V |
| Collector- emitter breakdown voltage | V _{CEO} | I _C = 10 mA, I _B =0 | 10 | | | |
| Emitter - base breakdown voltage | V _{EBO} | I _E = 1 mA, I _C =0 | 6 | | | |
| Collector cut-off current | I _{CB0} | V _{CB} = 30 V, I _E =0 | | | 0.1 | μA |
| Emitter cut-off current | I _{EBO} | V _{EB} = 6V, I _C =0 | | | 0.1 | |
| Collector-emitter saturation voltage | V _{CE(sat)} | I _C =2A, I _B = 100mA | | | 0.82 | V |
| Base - emitter saturation voltage | V _{BE(sat)} | I _C =2A, I _B = 100mA | | | 1.2 | |
| Base-emitter voltage | V _{BE} | V _{CE} = 1V, I _C = 2A | | | 1.5 | |
| DC current gain | h _{FE} | V _{CE} = 1V, I _C = 0.5A | 140 | | 600 | |
| Collector Output Capacitance | C _{ob} | V _{CB} =10V, I _E =0, f=1MHZ | | 27 | | pF |
| Transition frequency | f _T | V _{CE} = 1V, I _C = 0.5A | | 150 | | MHz |

■ Classification of hFE

| Rank | L | M | N | P |
|-------|---------|---------|---------|---------|
| Range | 140-240 | 200-330 | 300-450 | 420-600 |